

TYPE MP40

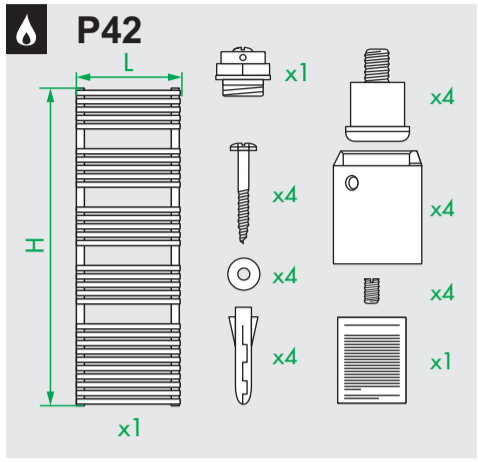
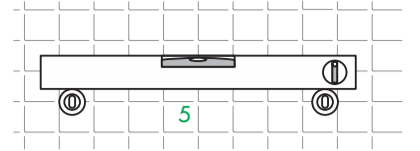
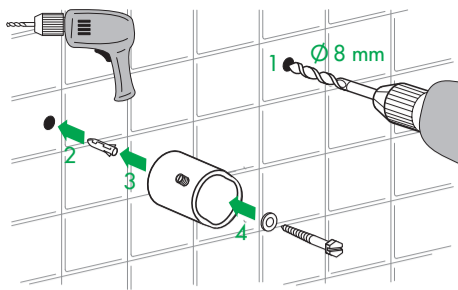
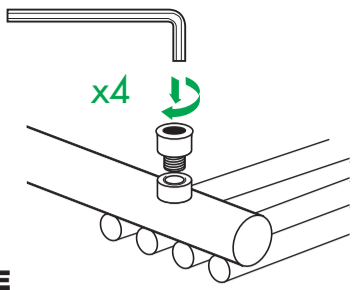
40004164

© Copyright by PBO 09/19

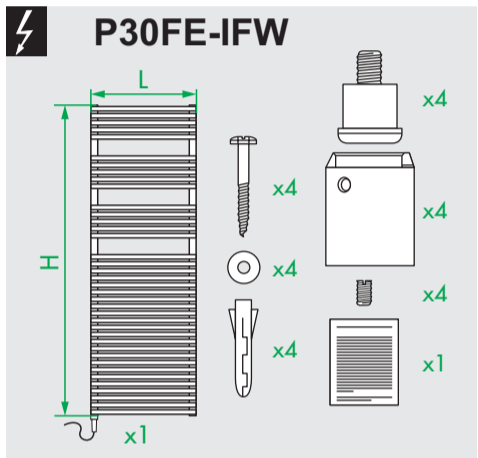
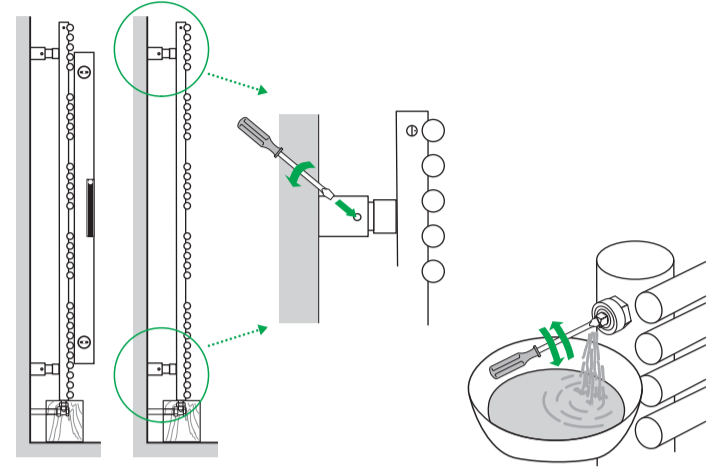
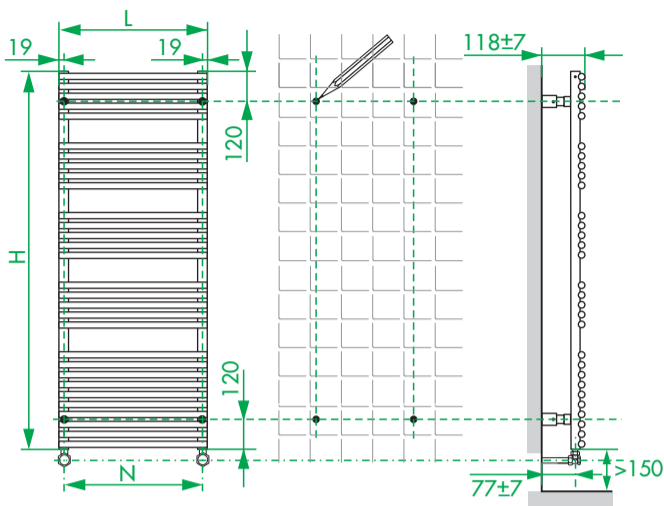
P42 / P42F / P42FE
P23 / P23M-RF / P23E-RF
P24M-RF / P24E-RF

P30FE-IFW / P30F-IFS / P30FE-IFS

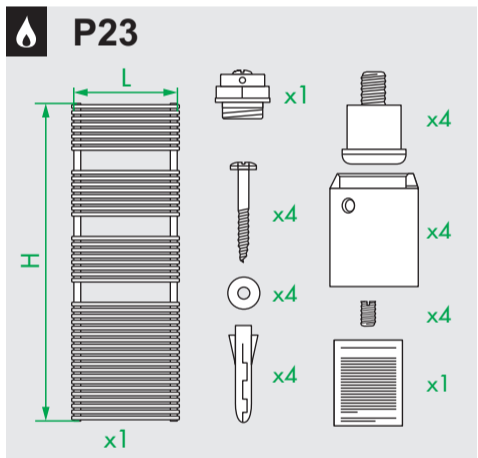
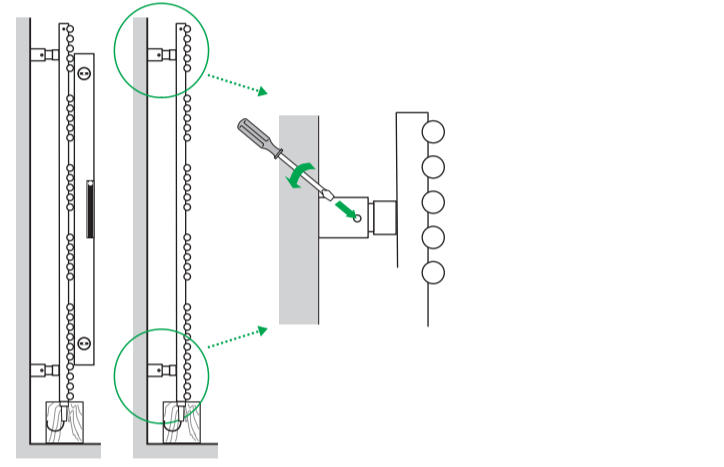
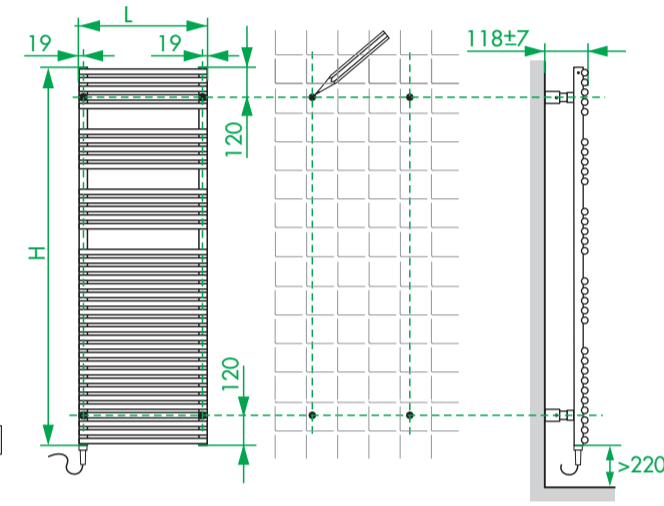
P16/P16D/P16M-RF/P16M/P16E-RF/P16E



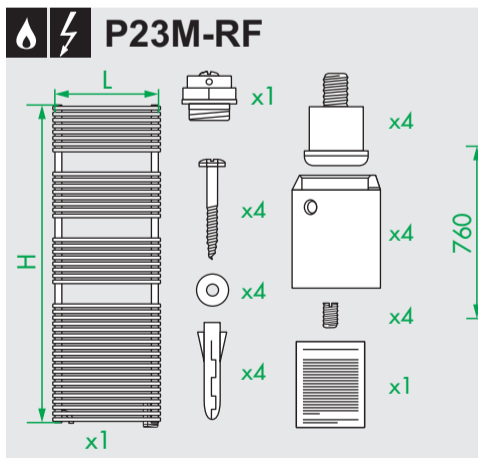
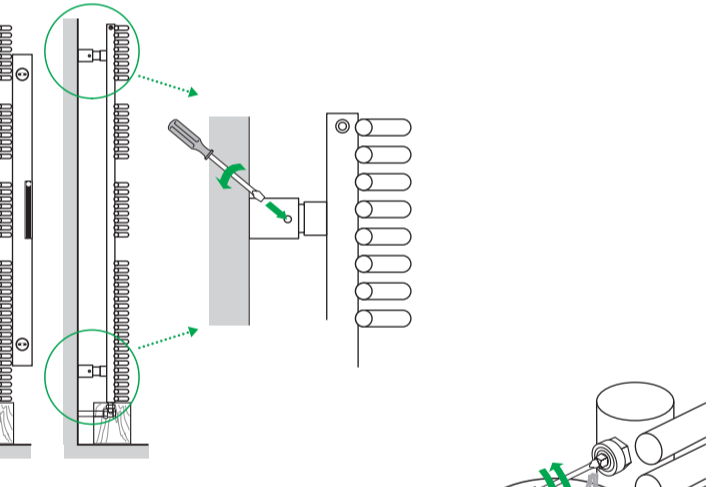
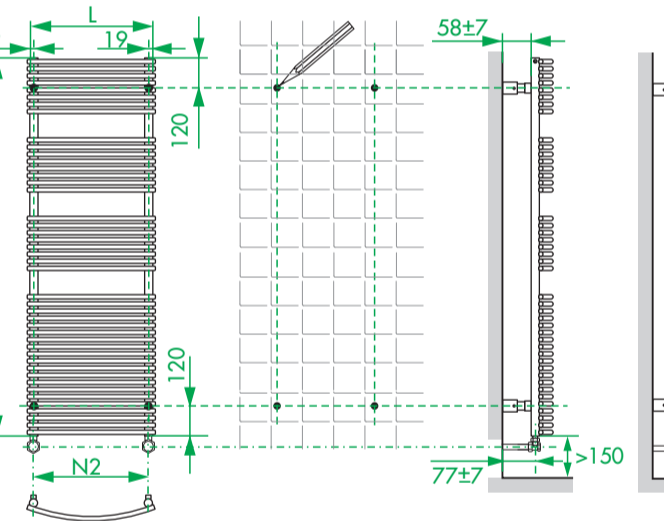
<input checked="" type="checkbox"/>	<input checked="" type="checkbox"/>
L-38	L-38
P42	
L	496
N = L - 38	458
H	120 152 176 1



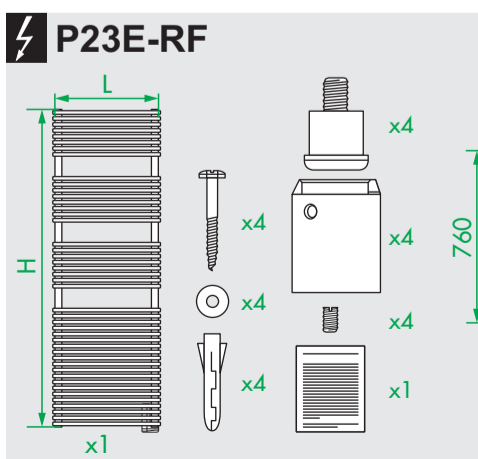
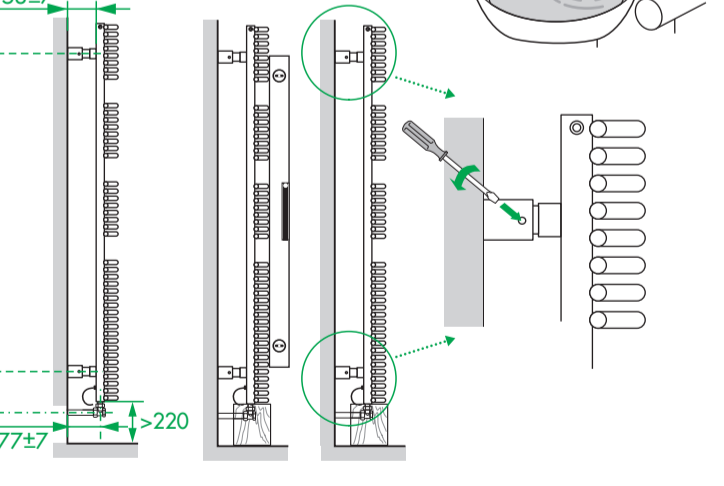
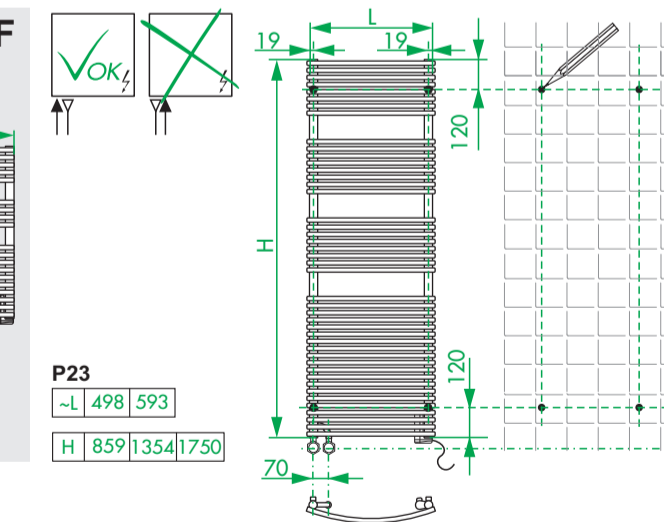
<input checked="" type="checkbox"/>	<input checked="" type="checkbox"/>
<input checked="" type="checkbox"/>	<input checked="" type="checkbox"/>
P30FE-IFW	
L	496
H	92 116 168 176 1



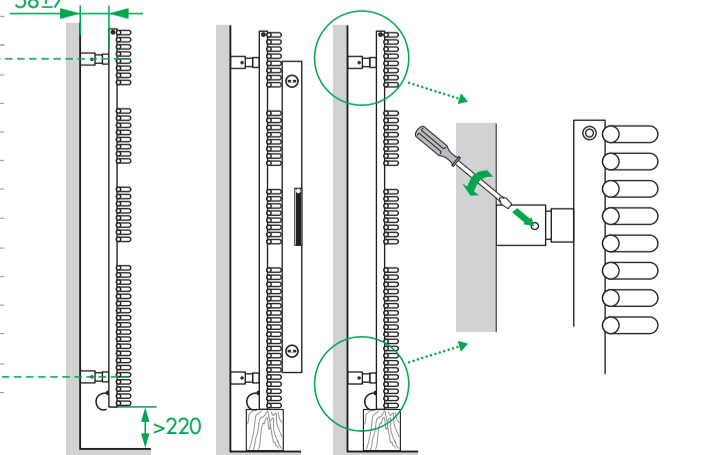
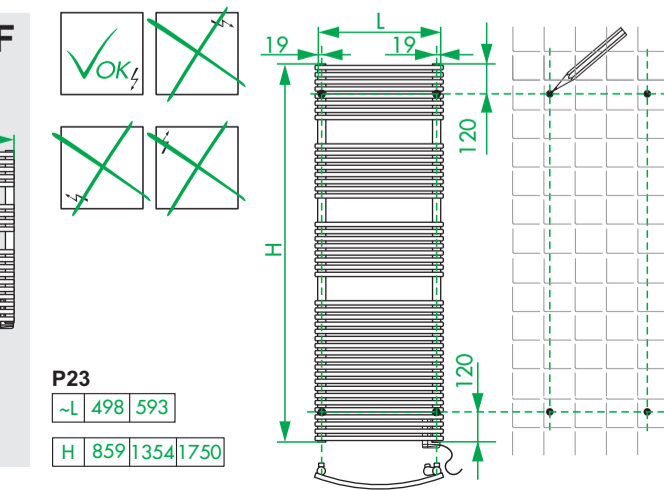
<input checked="" type="checkbox"/>	<input checked="" type="checkbox"/>
L	498 593 728
N2	447 541 675
H	859 1255 1354 1522 1750 2014 1

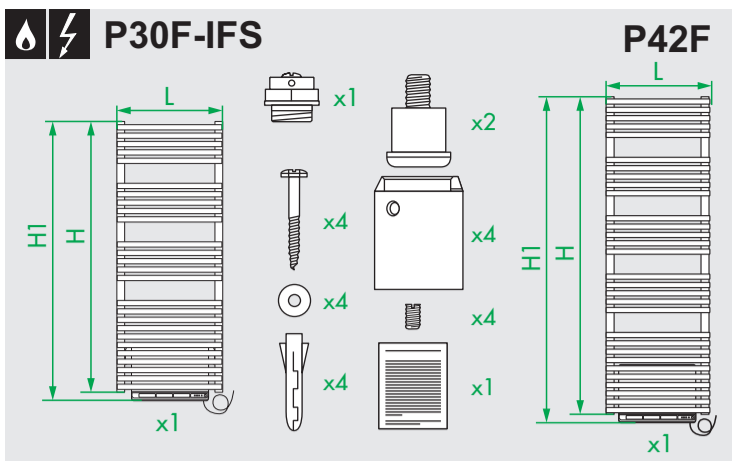


<input checked="" type="checkbox"/>	<input checked="" type="checkbox"/>
L	498 593
H	859 1354 1750



<input checked="" type="checkbox"/>	<input checked="" type="checkbox"/>
L	498 593
H	859 1354 1750



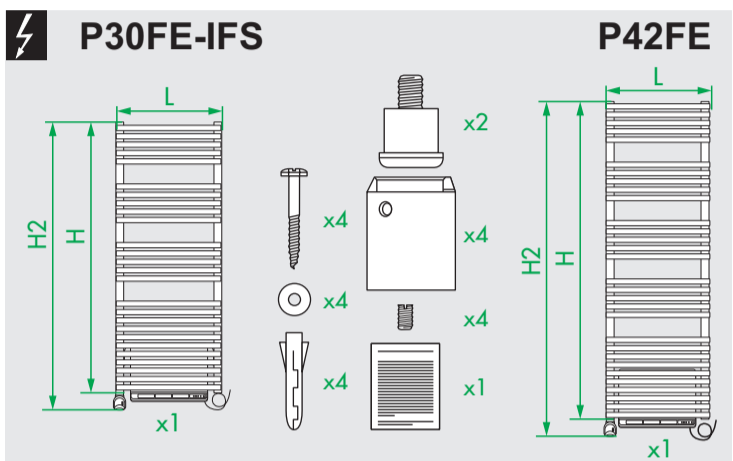
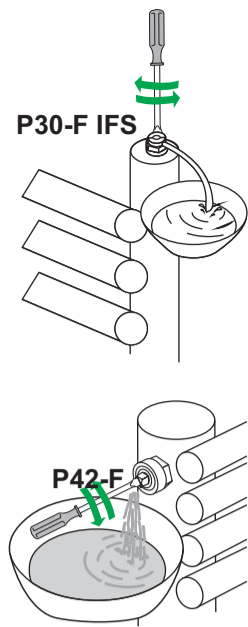
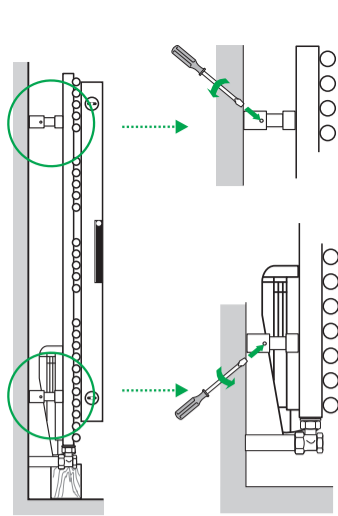
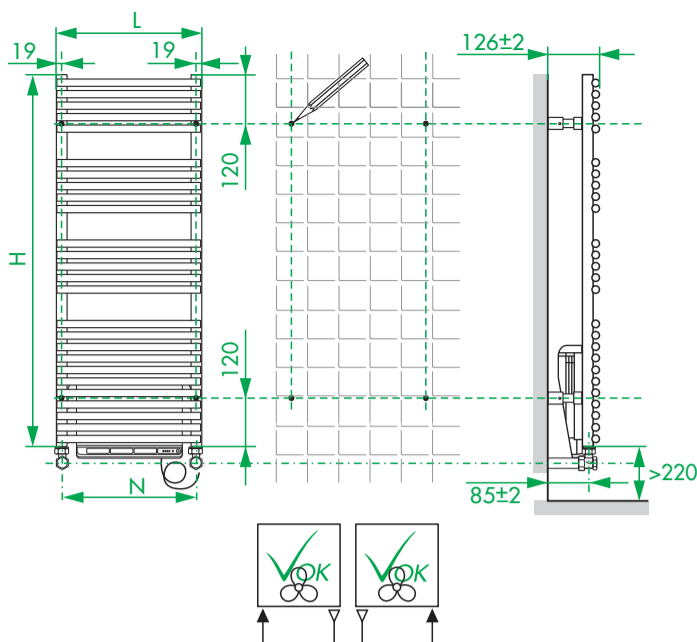


P30F-IFS

L	496
N = L - 38	458
H	1161 1681 1761
H1	1198 1718 1798

P42F

L	496
N = L - 38	458
H	1201 1521 1761
H1	1238 1558 1798

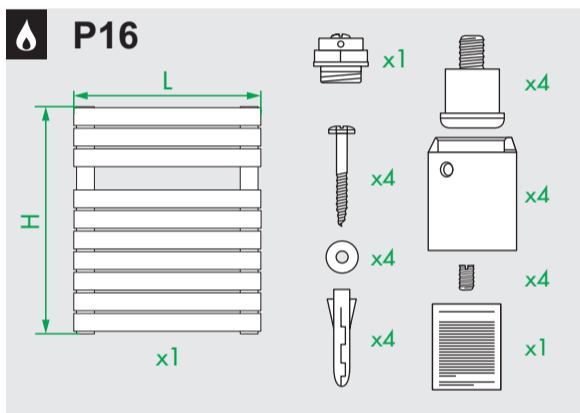
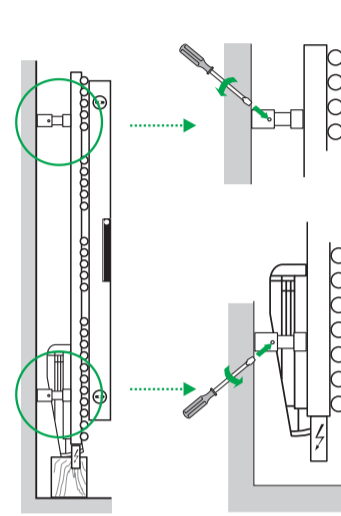
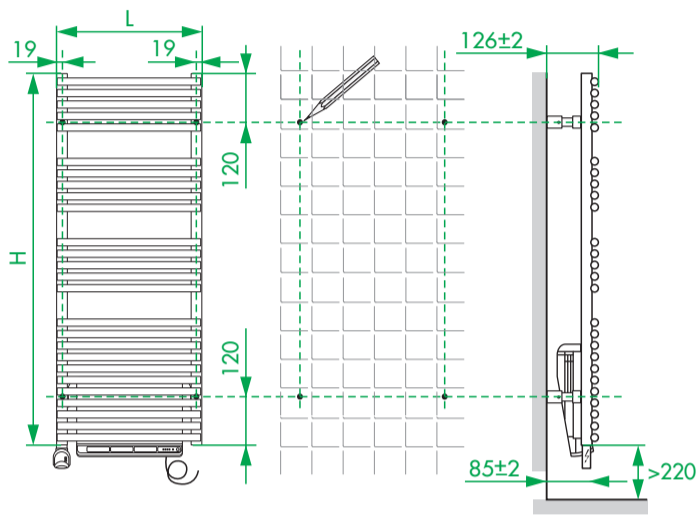


P30FE-IFS

L	496
H	921 1161 1681 1761
H2	1198 1198 1718 1798

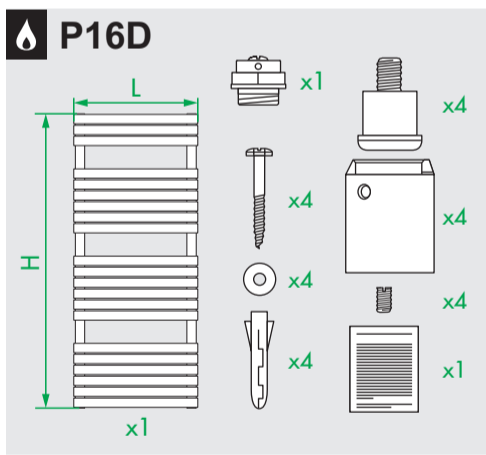
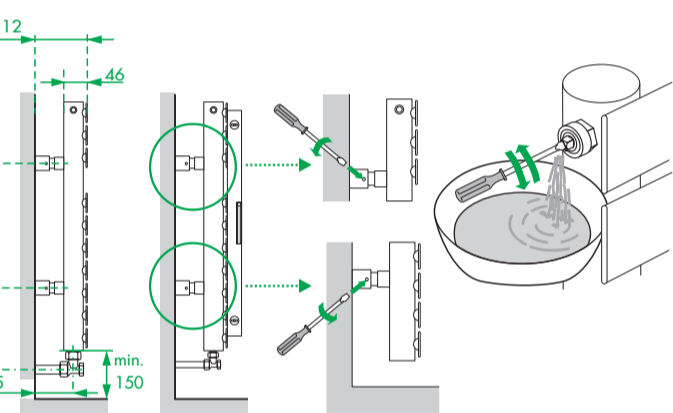
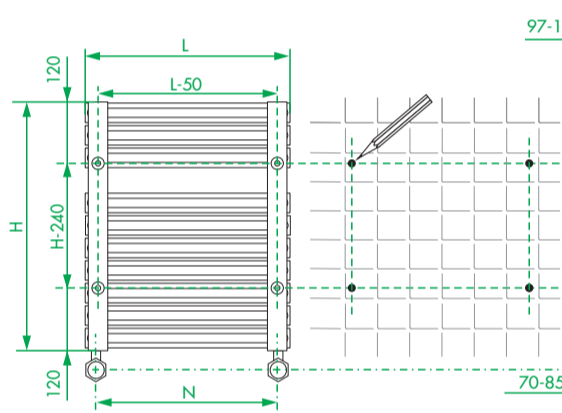
P42FE

L	496
H	1201 1521 1761
H2	1238 1558 1798



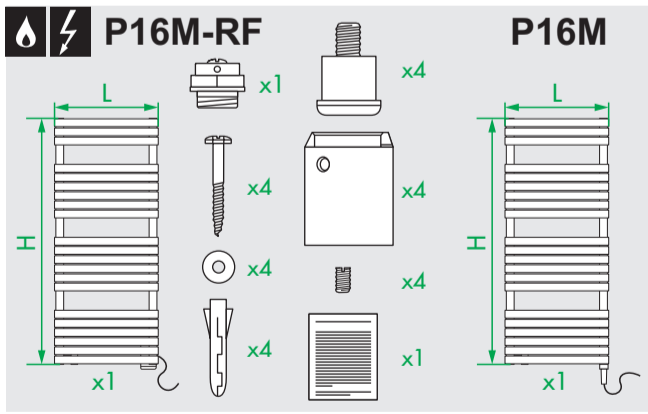
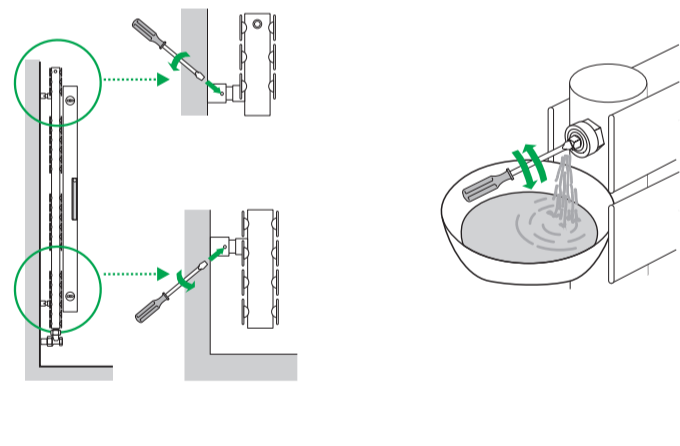
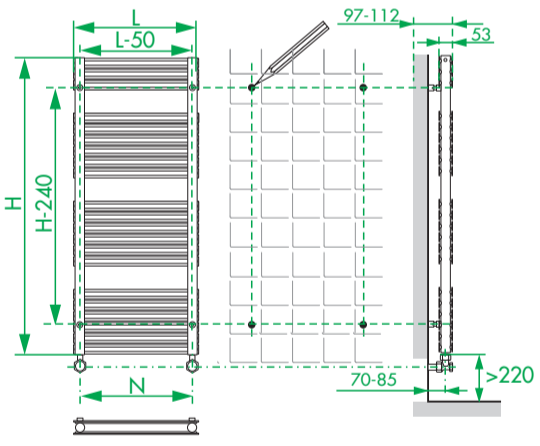
P16

~L	400	500	600	
N	350	450	550	
~L	800	900	1000	1200
N	750	850	950	1150
H	484	572	836	
H	1188	1540	1804	



P16D

~L	500	600	
N	450	550	
H	1188	1540	1804

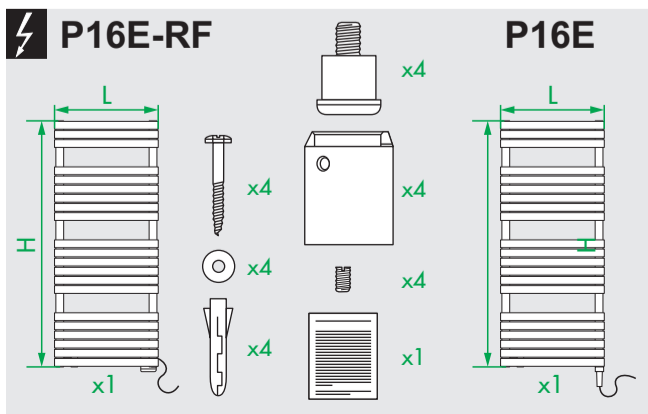
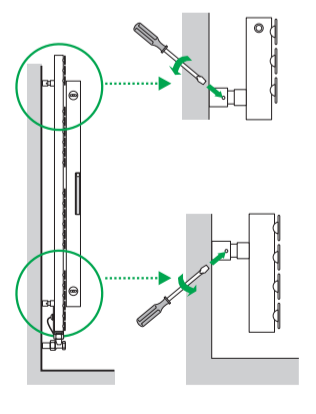
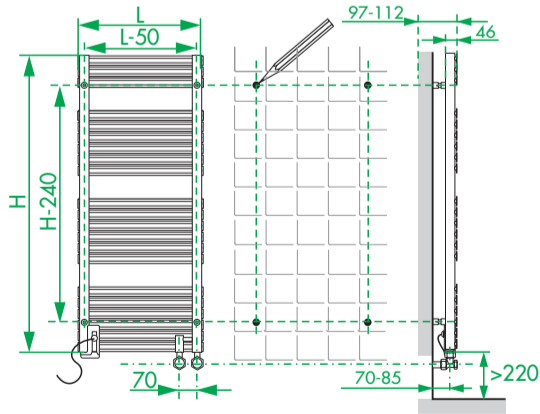


P16M-RF

~L	400	500	800
H	1188	1540	1804

P16M

~L	400	500	800
H	1188	1540	1804



P16E-RF

~L	400	500	600	800
H	1188	1540	1804	

P16E

~L	400	500	600	800
H	1188	1540	1804	

