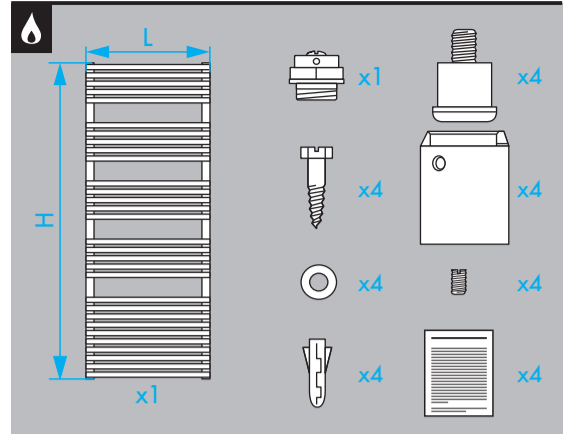
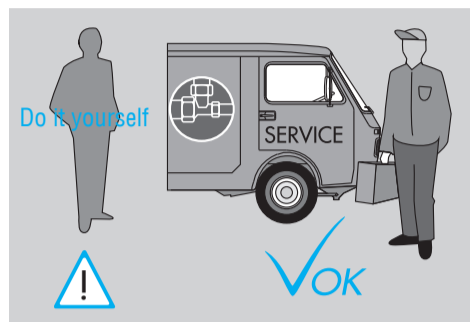
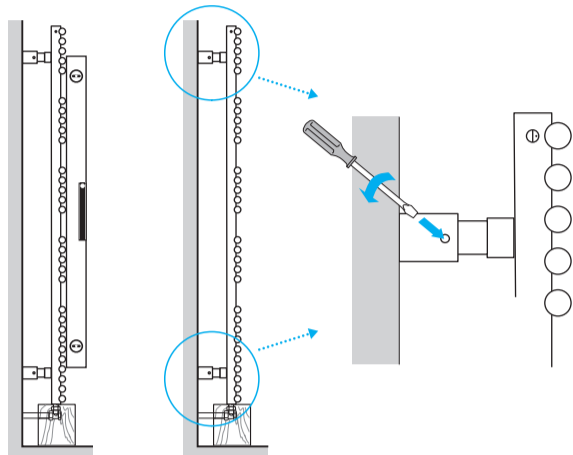
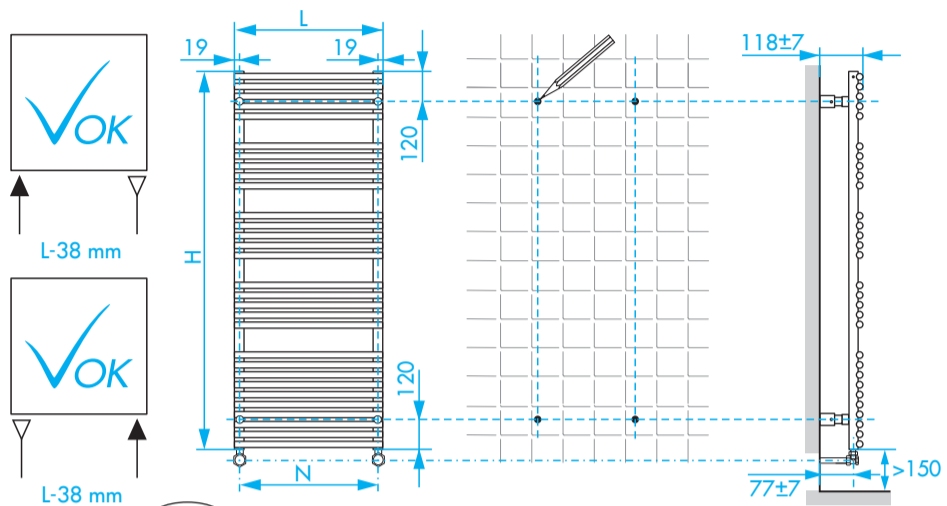
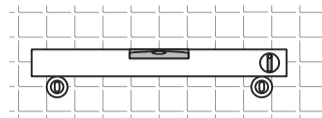
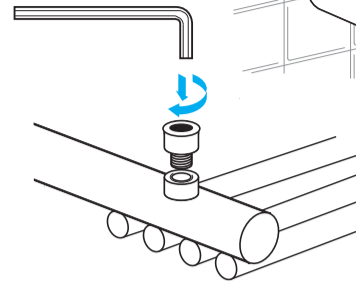
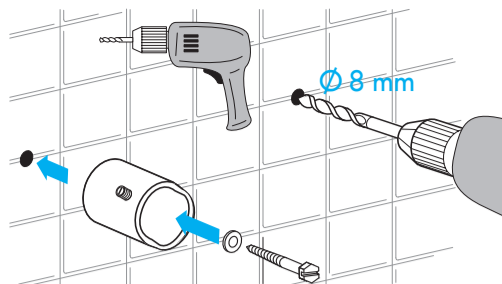
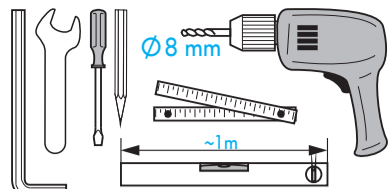
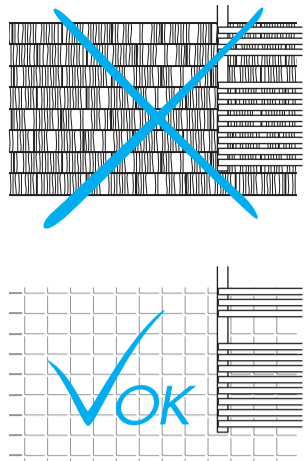


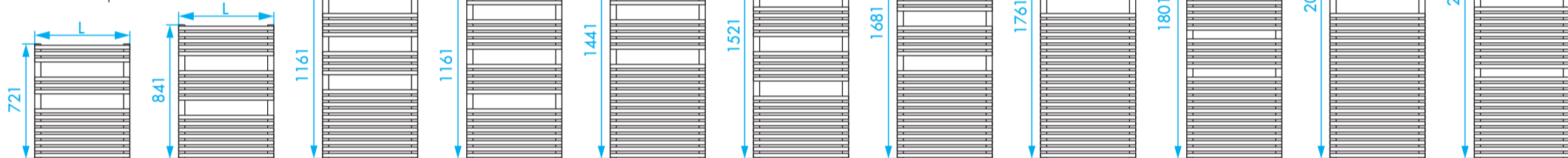
TYPE MP40/P30-F 1002971



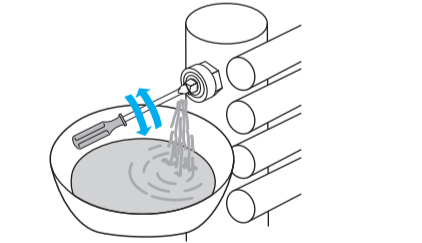
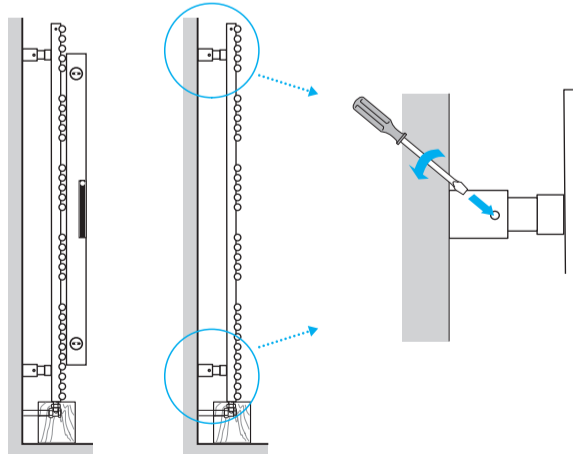
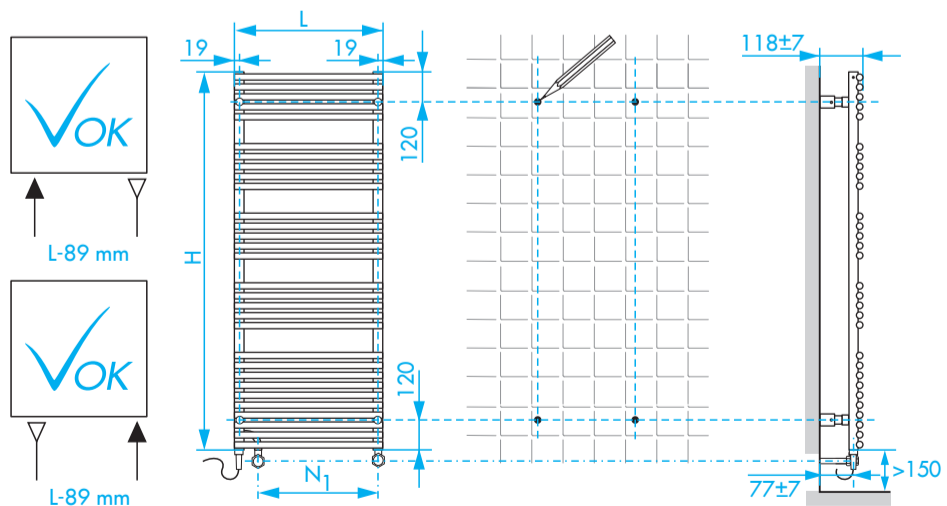
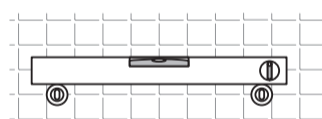
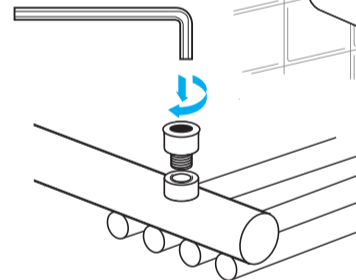
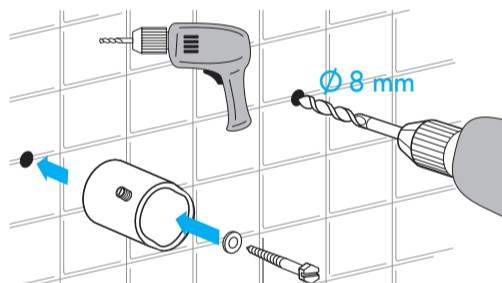
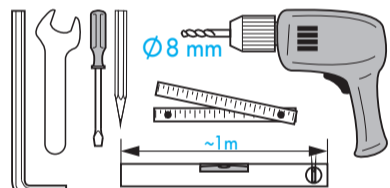
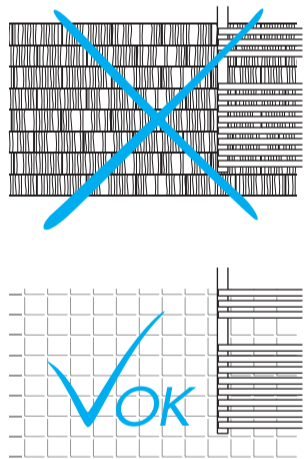
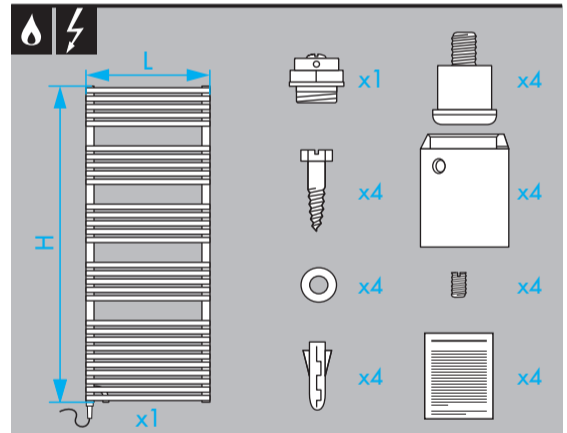
© Copyright by PBO 04/13



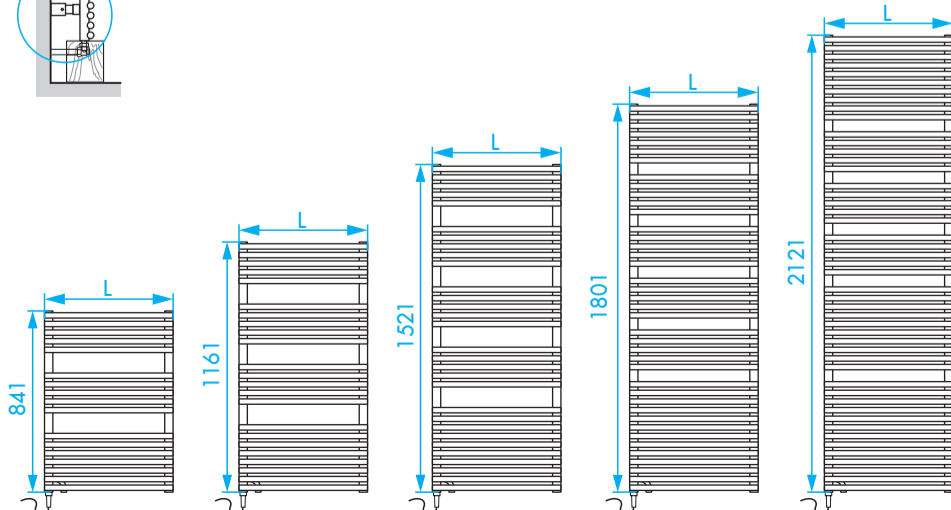
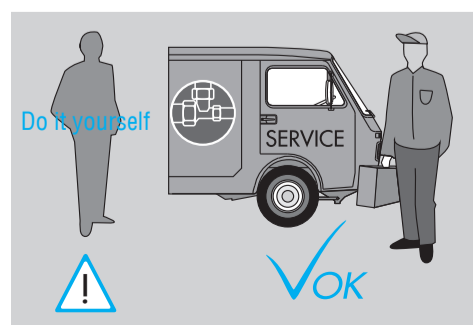
L	446	496	596	696	746	796	996
N	408	458	558	658	708	758	958



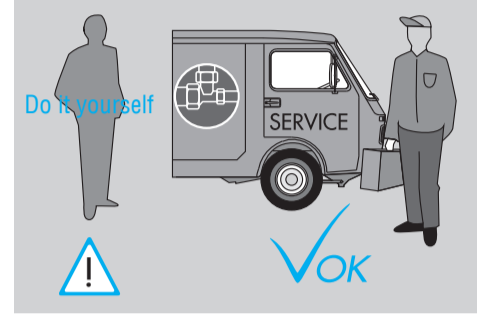
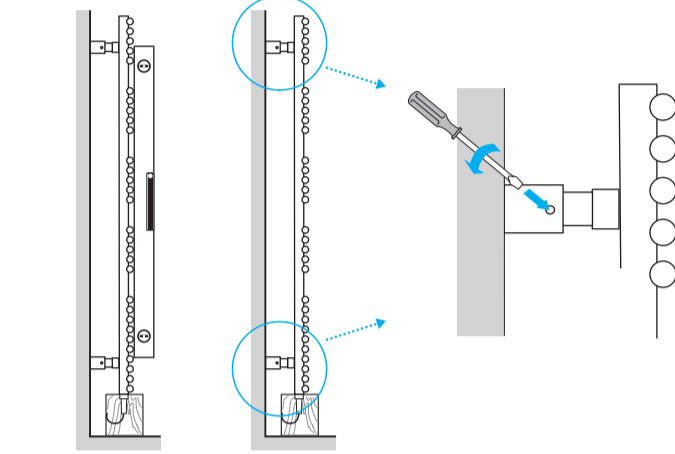
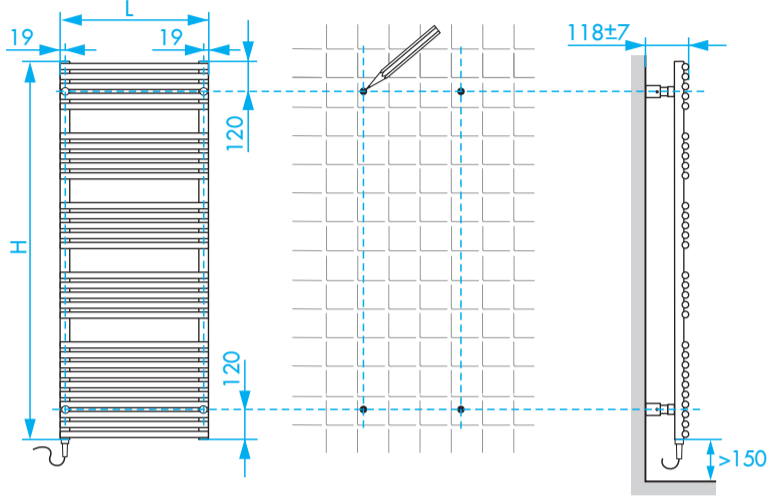
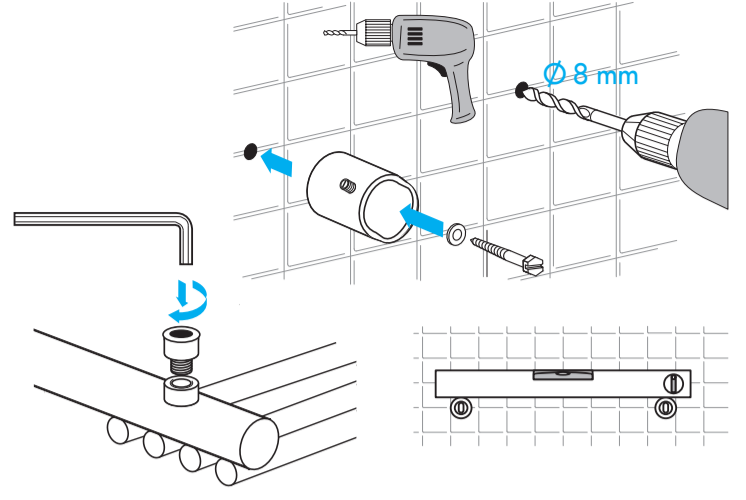
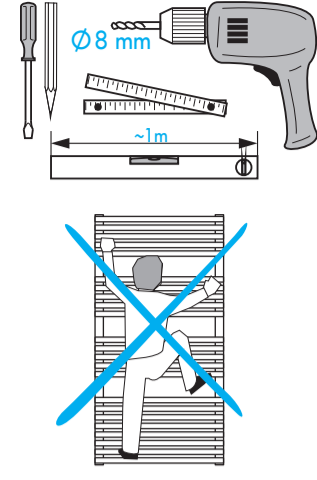
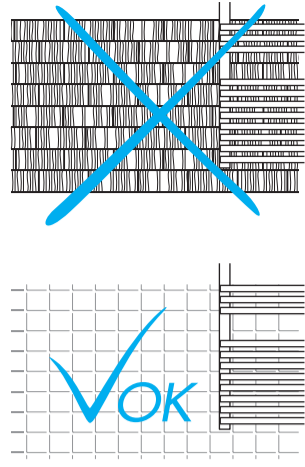
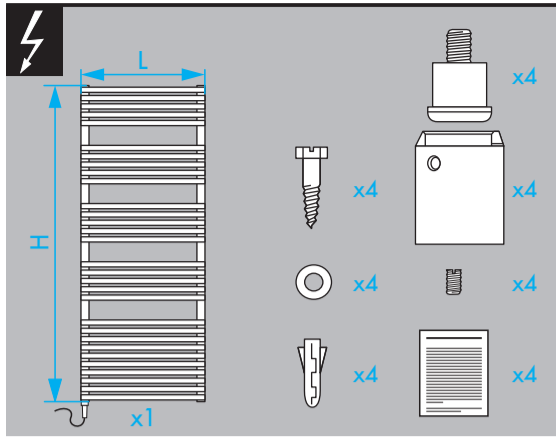
TYPE MP40-M



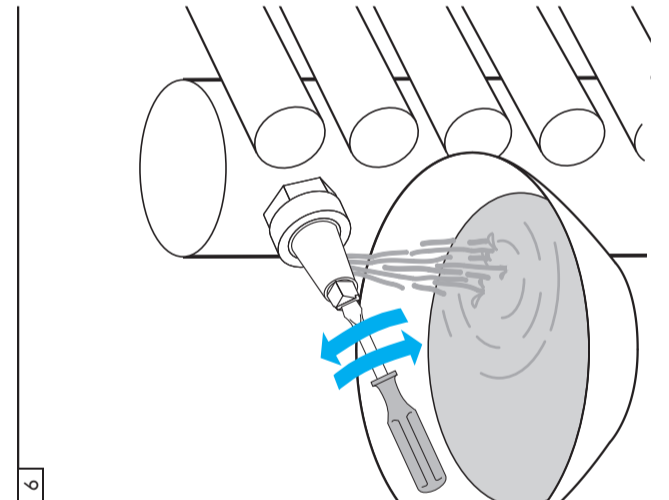
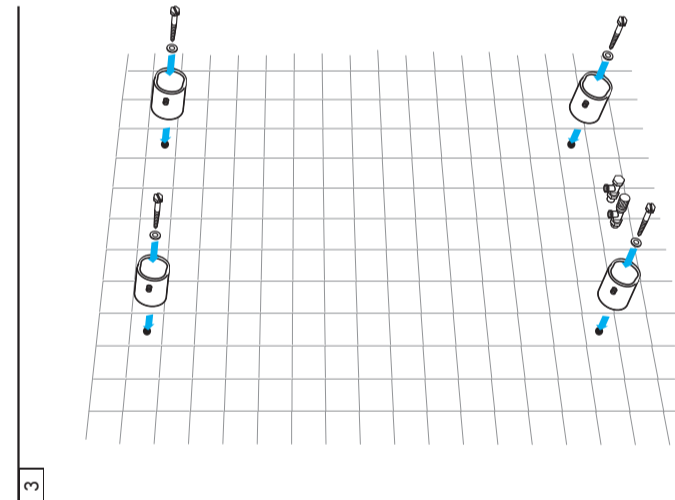
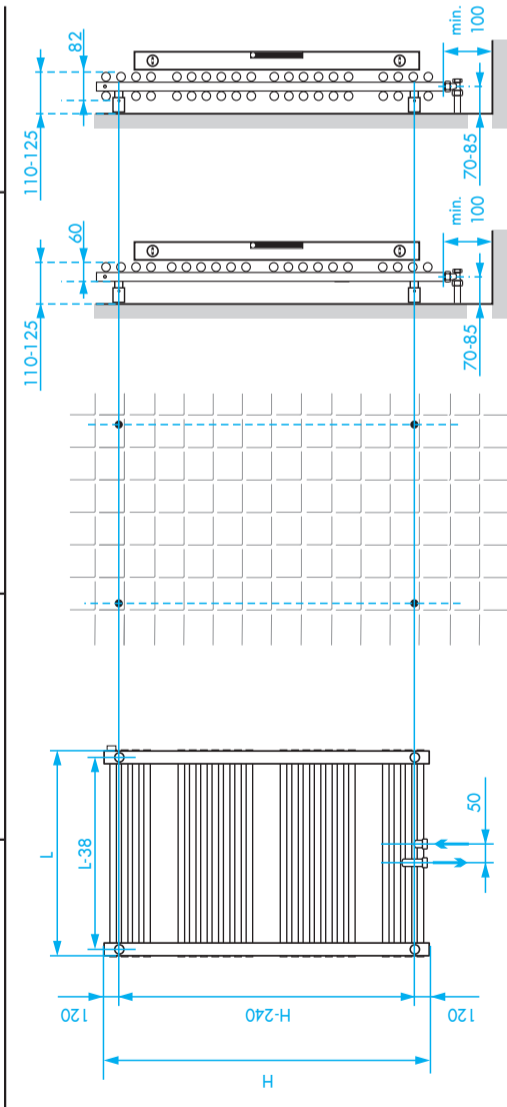
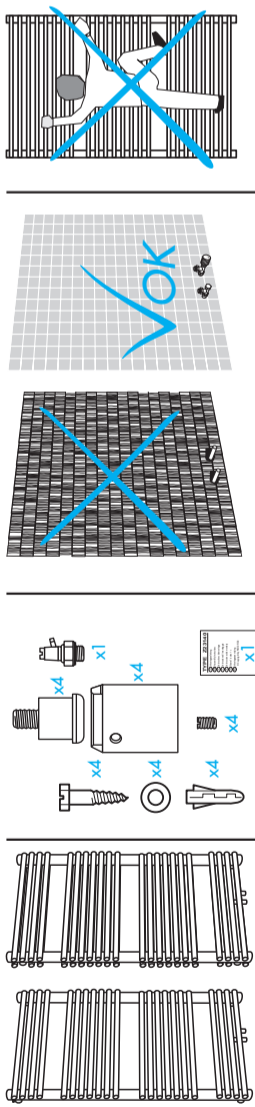
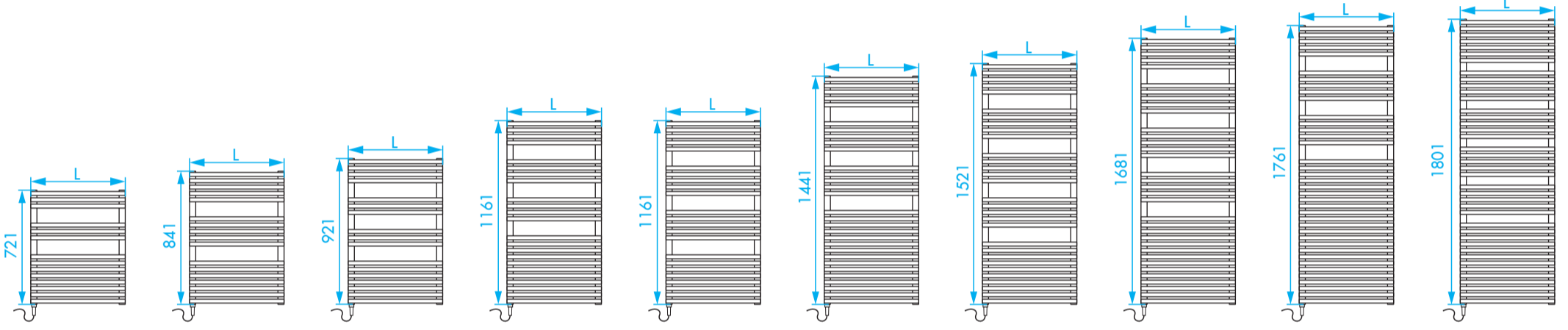
L	446	496	596	696	746	796	996
N ₁ =N-70	338	388	488	588	638	688	888
N ₁ =N-50	358	408	508	608	658	708	908



TYPE MP40-E/P30-FE



L 496 596 746



Z23140
 (FR) Instructions de montage
 (GB) Installation Instructions
 (NL) Montagehandleiding
 Original mounting instruction 10/01/12 PVA

