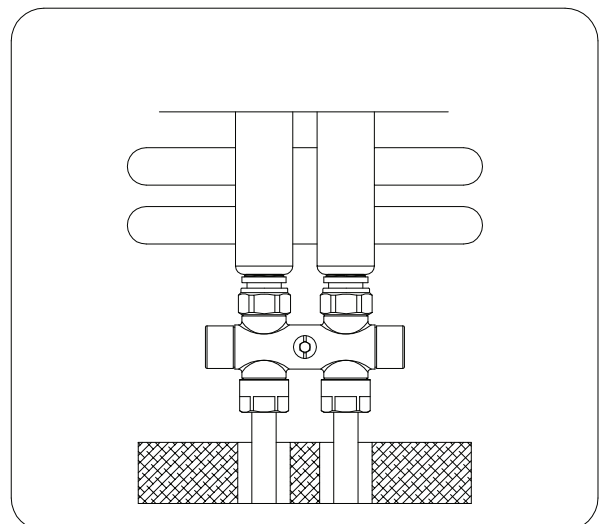
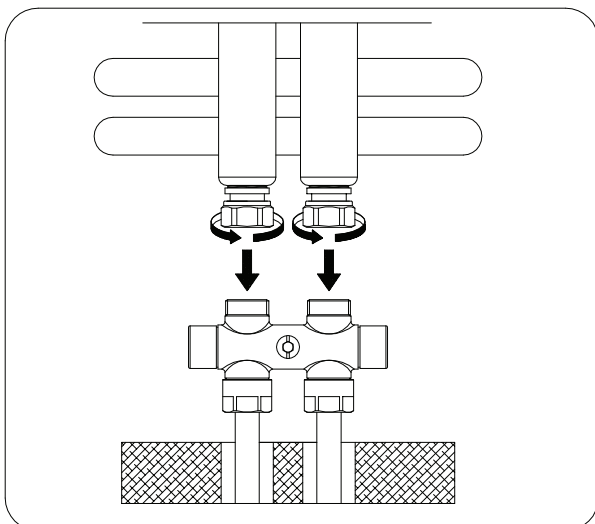
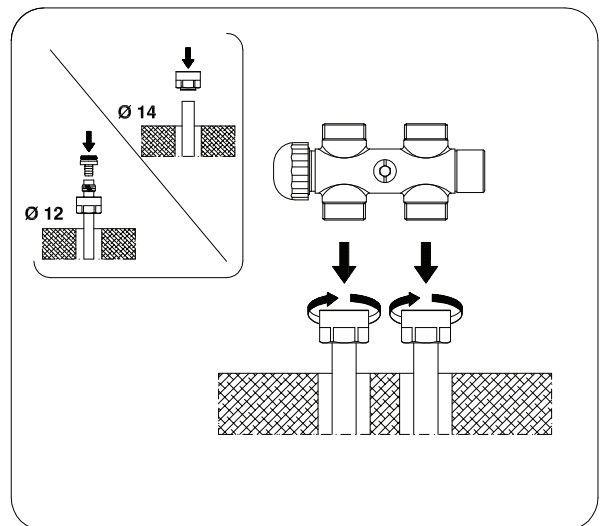
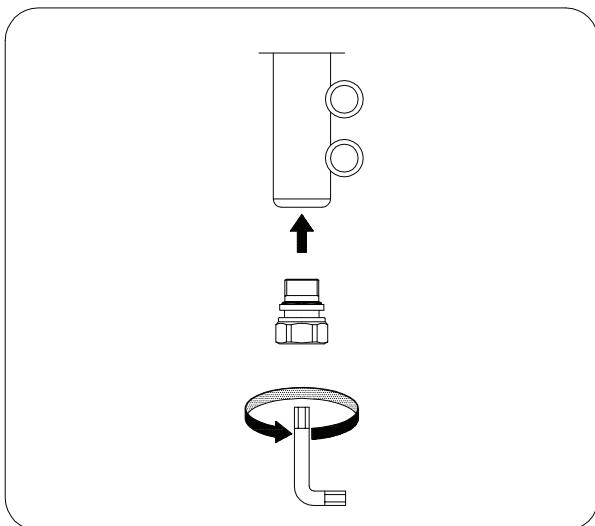
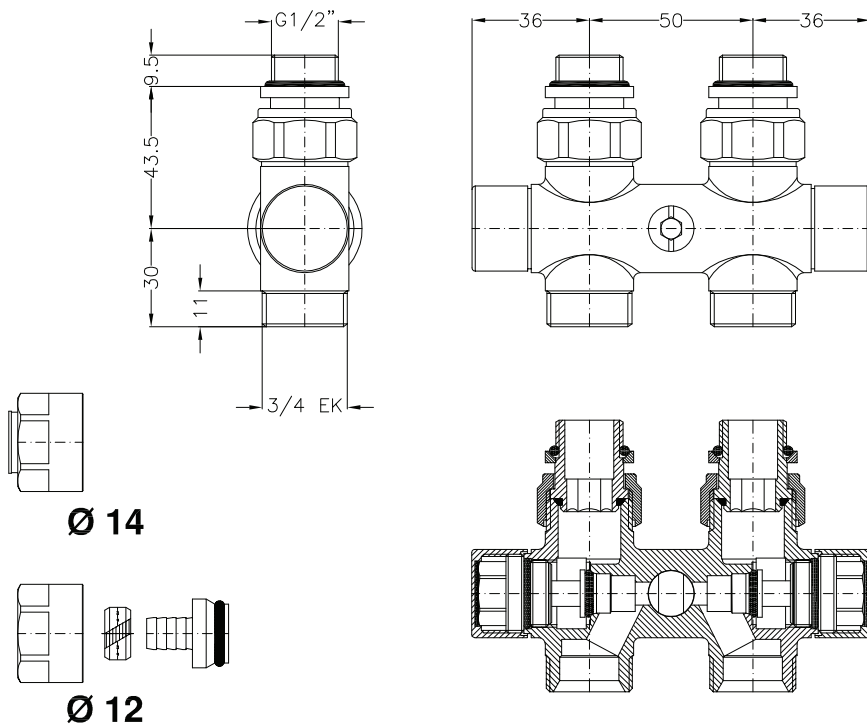
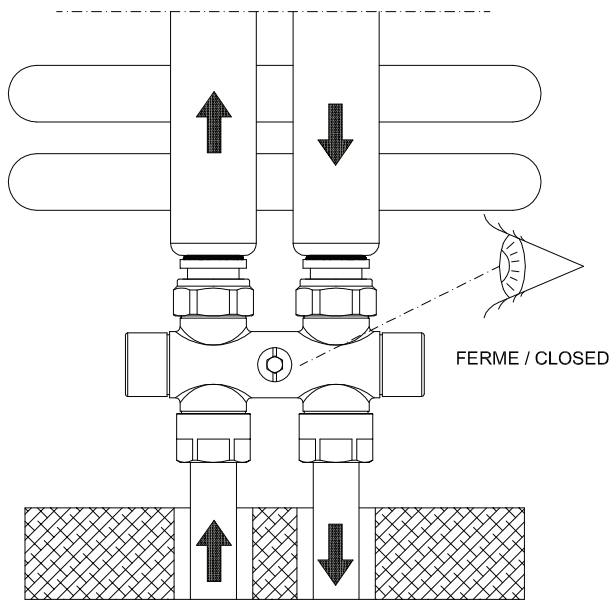


V485

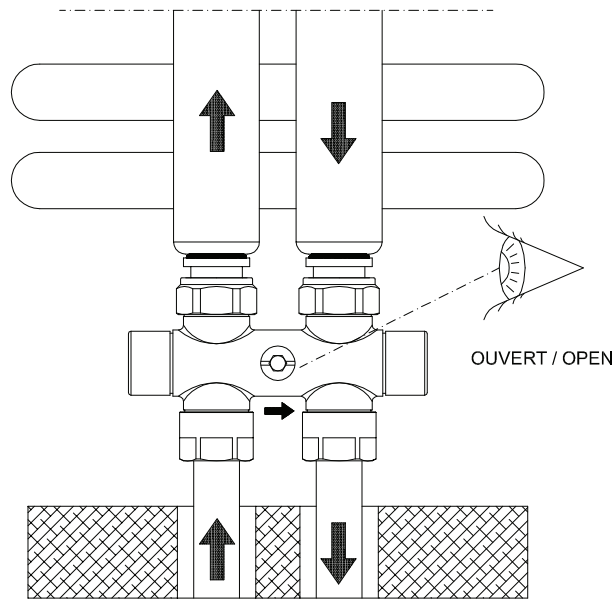




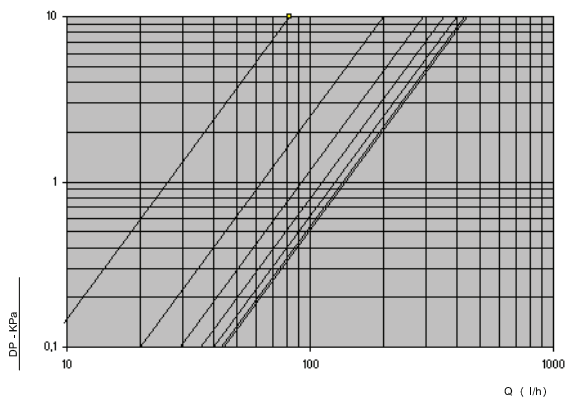
BITUBE / TWO PIPE



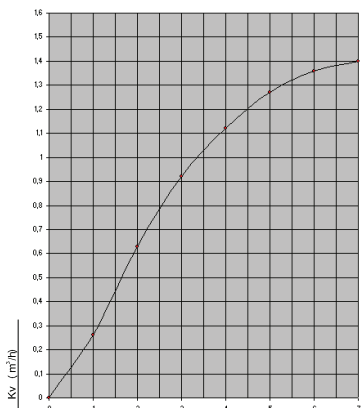
MONOTUBE / ONE PIPE



BITUBE / TWO PIPE



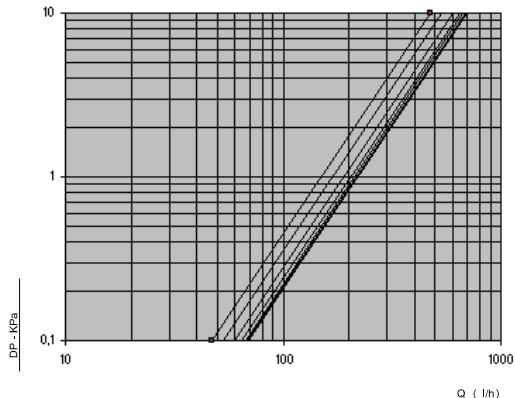
1 tour	Kv 0.26
2 tour	Kv 0.63
3 tour	Kv 0.92
4 tour	Kv 1.12
5 tour	Kv 1.27
6 tour	Kv 1.36
7 tour	Kv 1.4



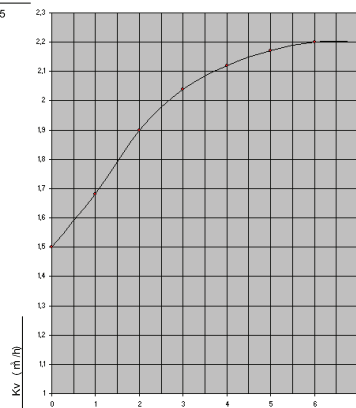
SET-POINT	0	1	2	3	4	5	6	7
Kv	0	0.26	0.63	0.92	1.12	1.27	1.36	1.4



MONOTUBE / ONE PIPE



1 tour	Kv 1.68
2 tour	Kv 1.90
3 tour	Kv 2.04
4 tour	Kv 2.12
5 tour	Kv 2.17
6 tour	Kv 2.2
7 tour	Kv 2.2
by-pass	Kv 1.5



SET-POINT	0	1	2	3	4	5	6	7
Kv	1.5	1.68	1.9	2.04	2.12	2.17	2.2	2.2