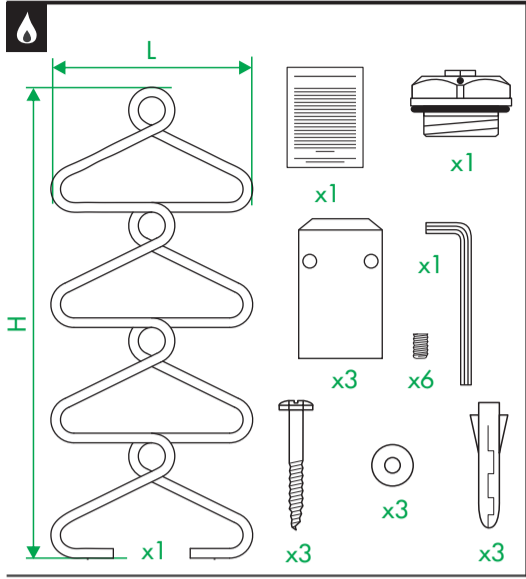


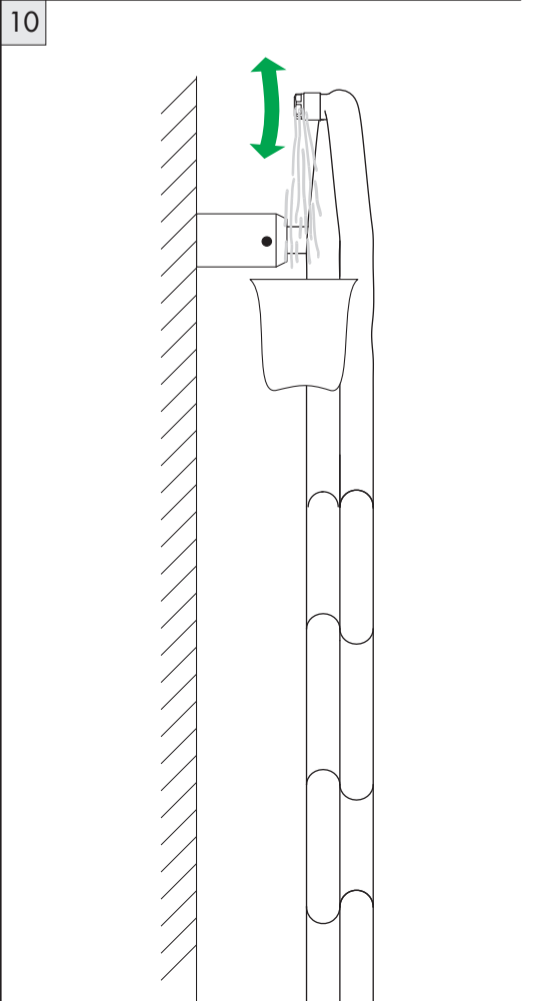
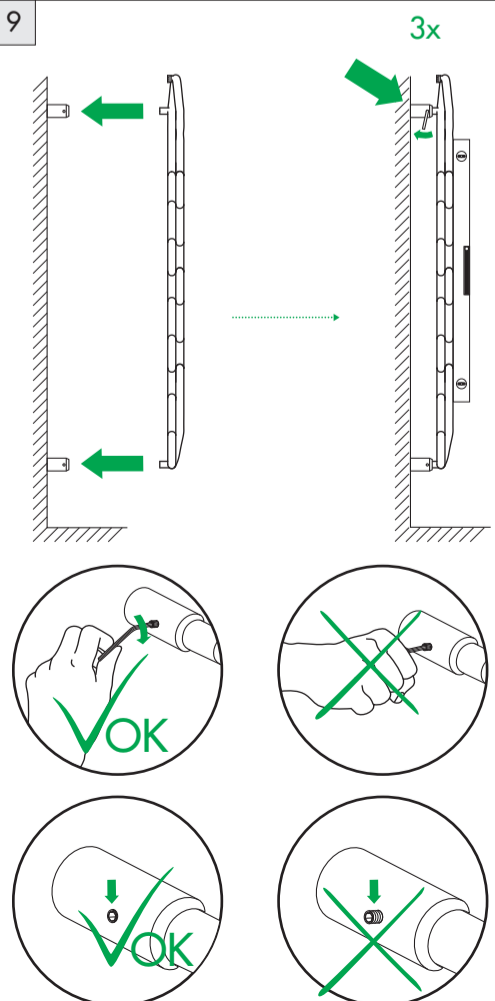
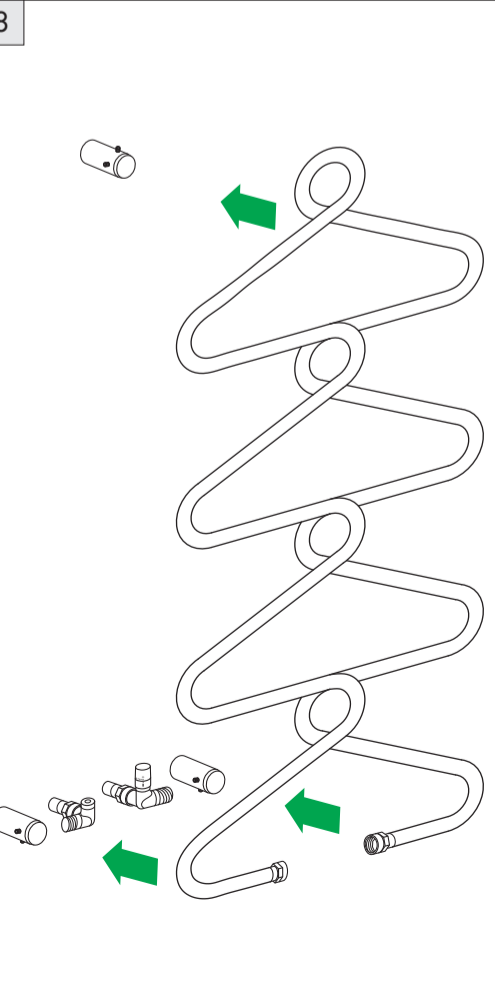
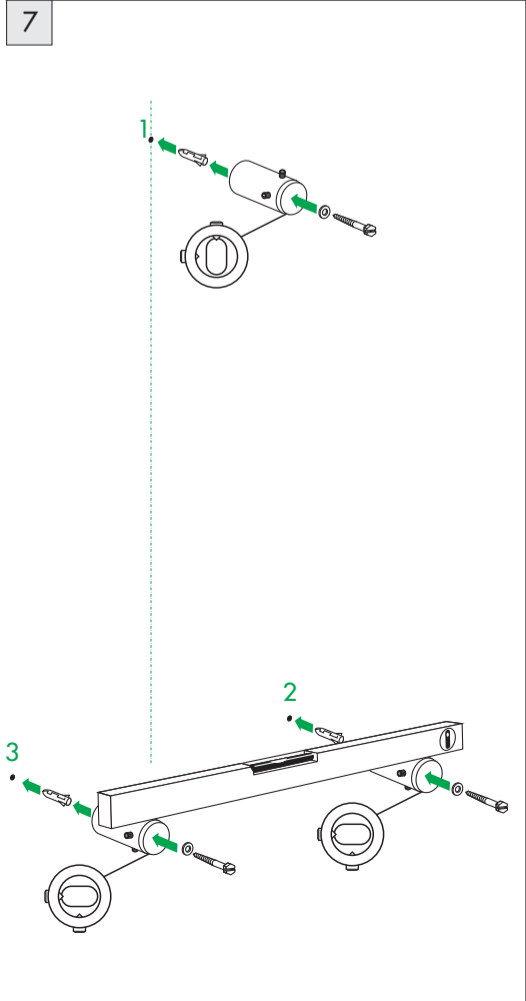
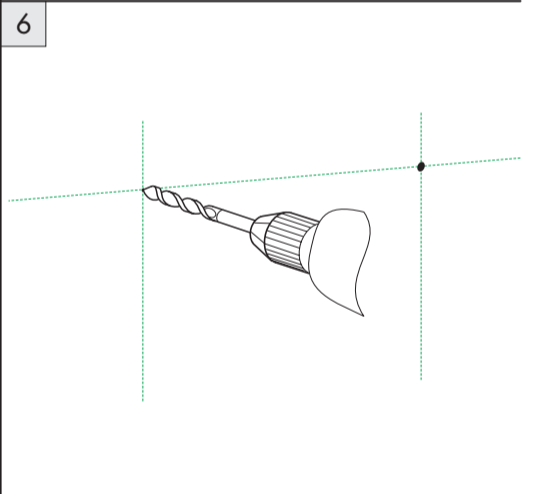
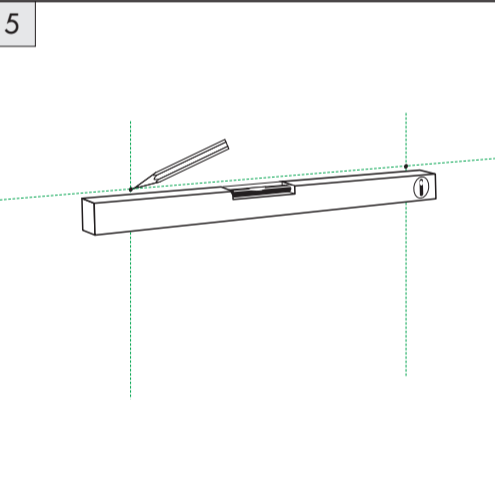
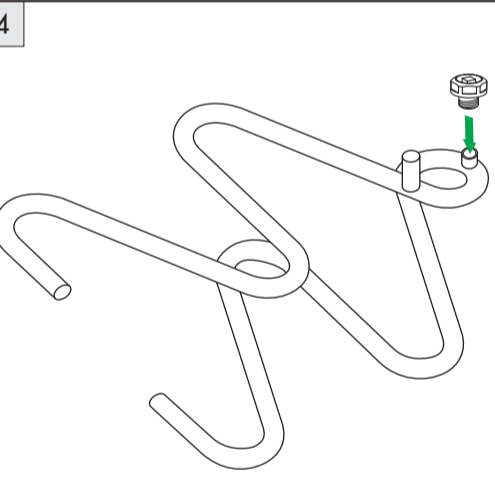
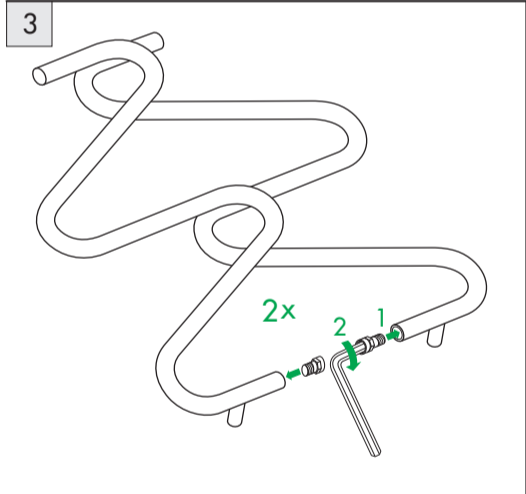
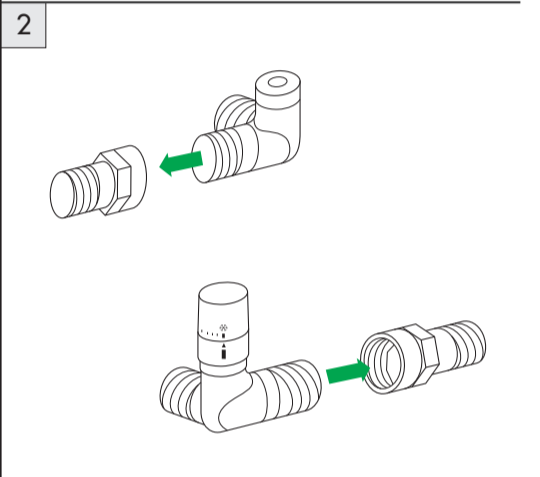
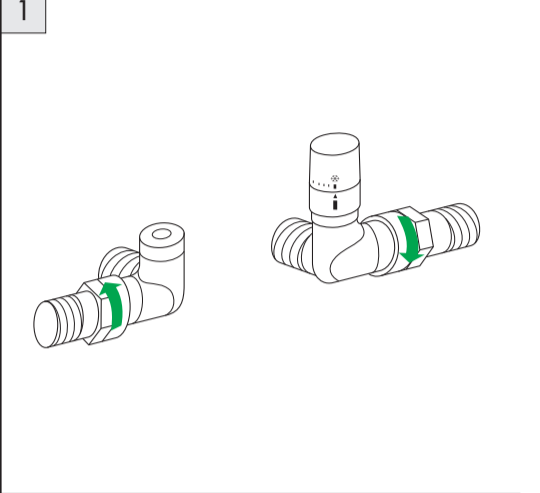
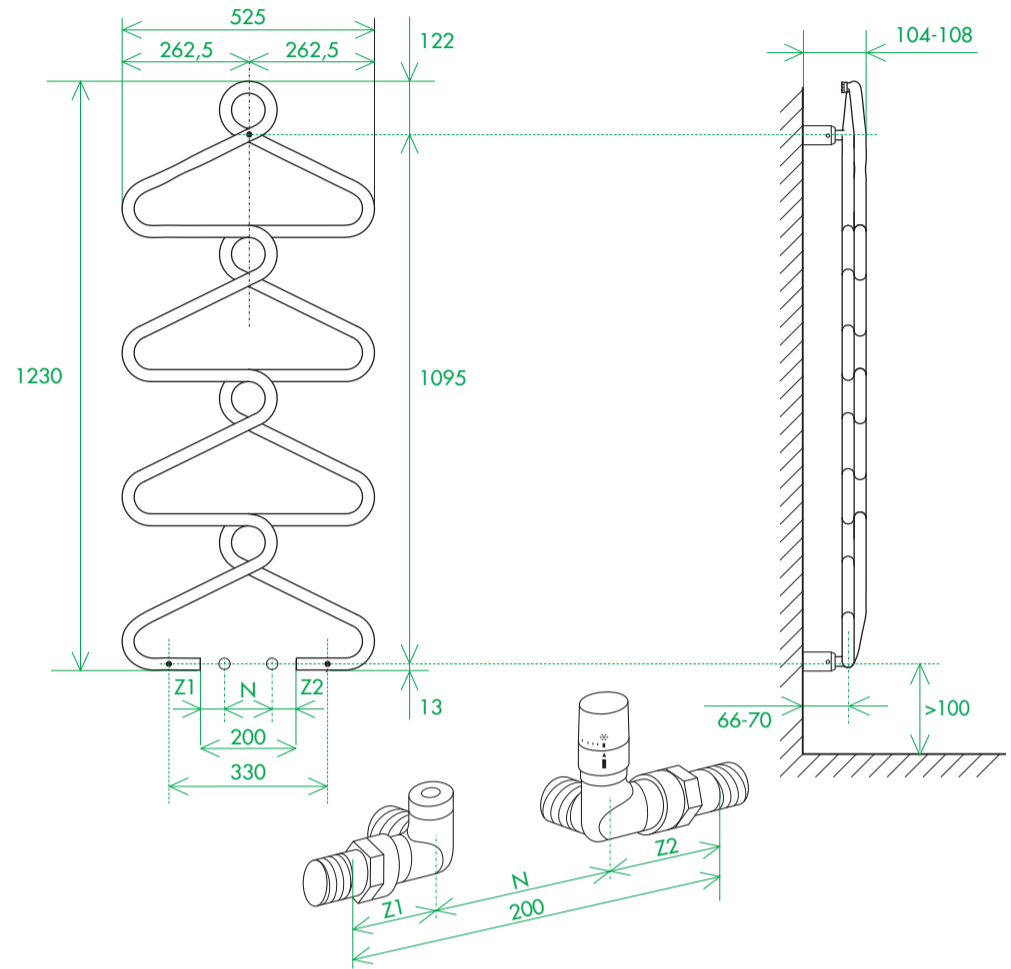
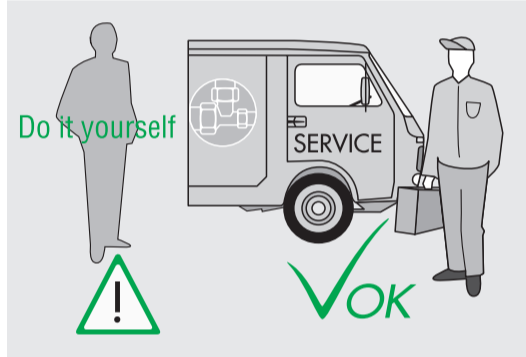
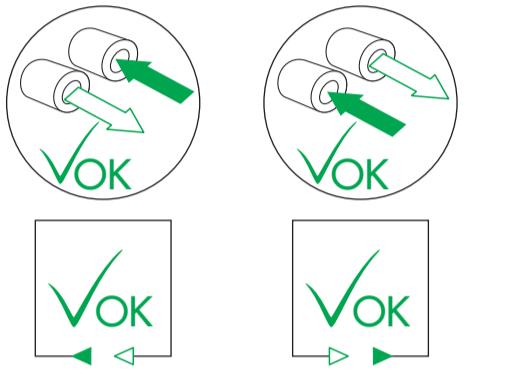
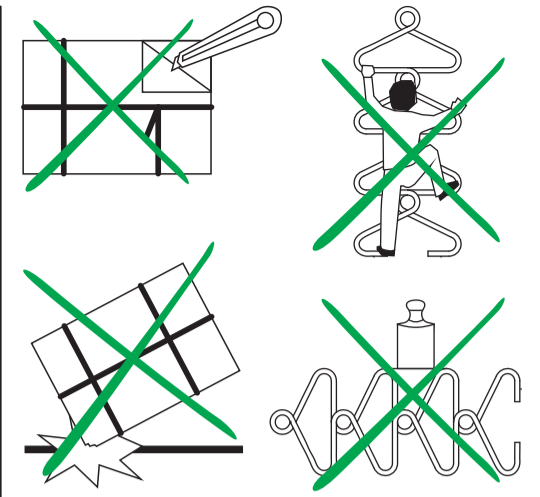
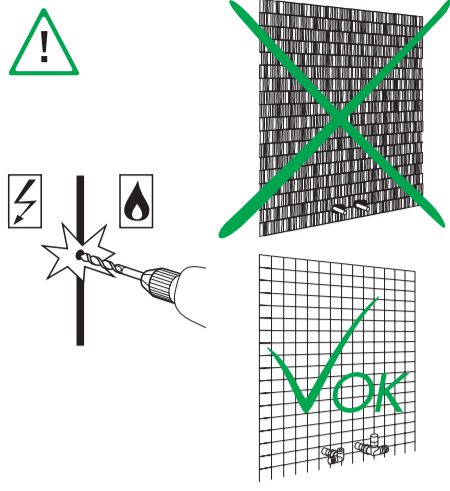
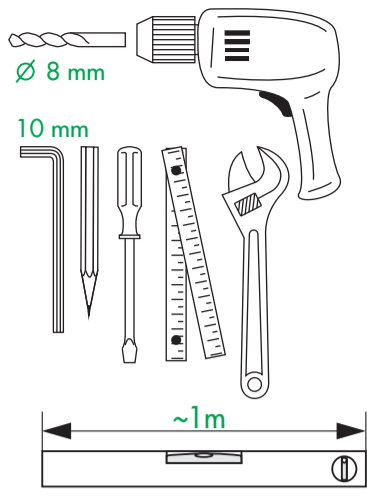
Type ARC



40019913



© Copyright by PBO 01/20



Type ARC EL

