

Vuelta SMB

DE Montageanleitung

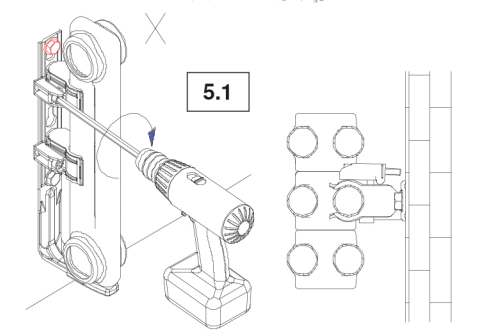
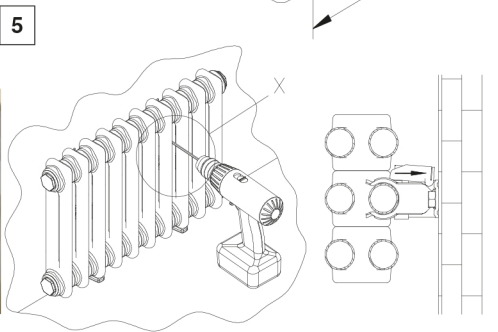
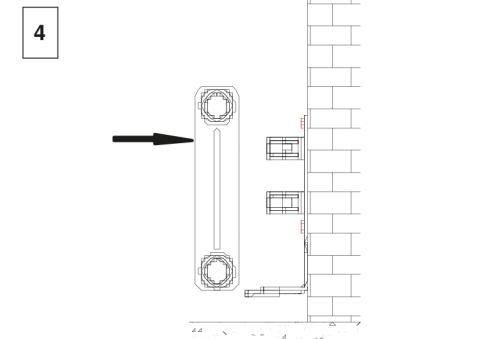
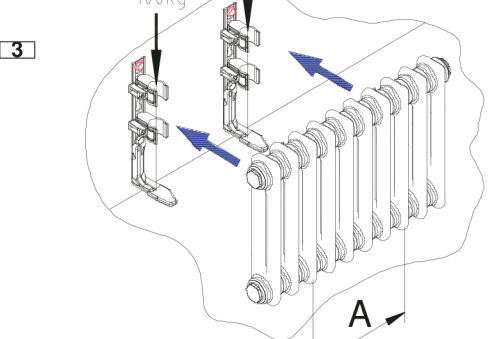
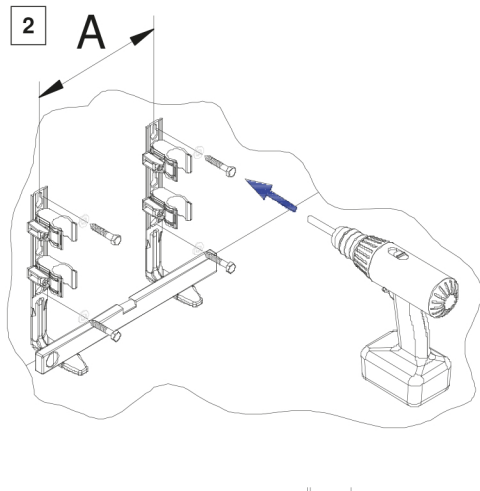
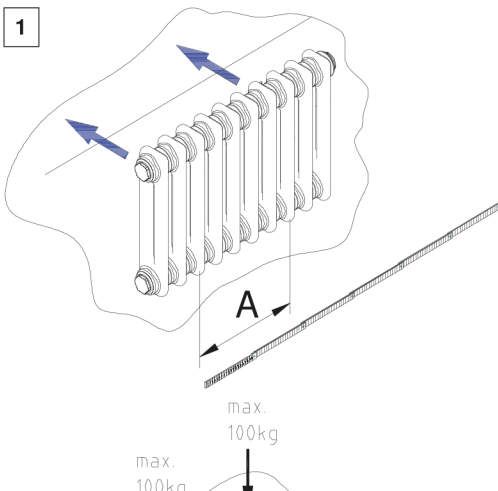
GB Assembly Instructions

FR Instructions de montage

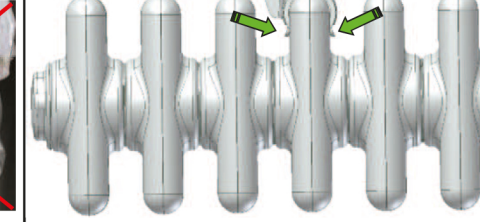
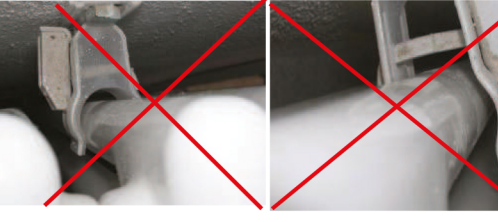
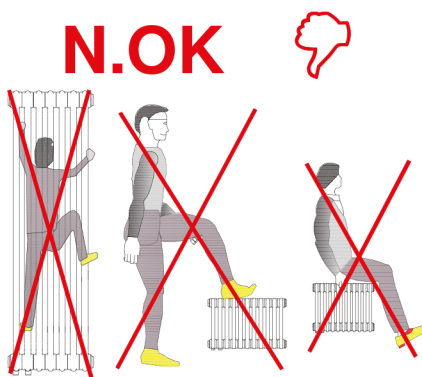
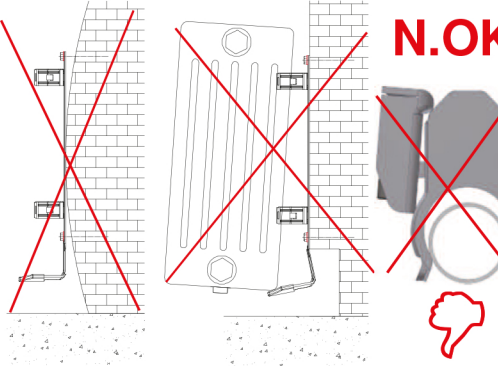
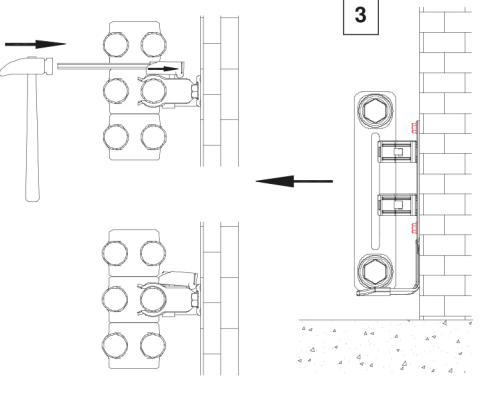
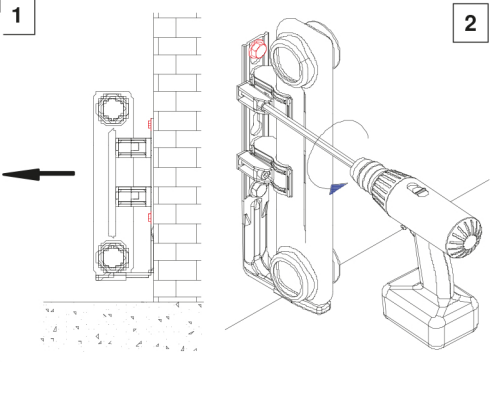
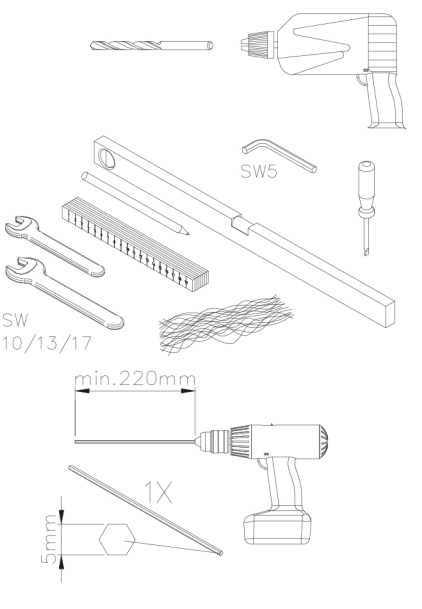
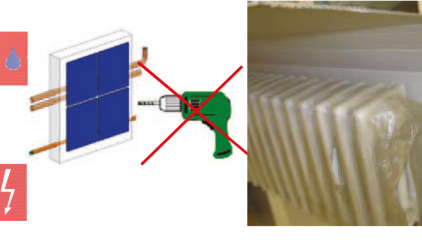
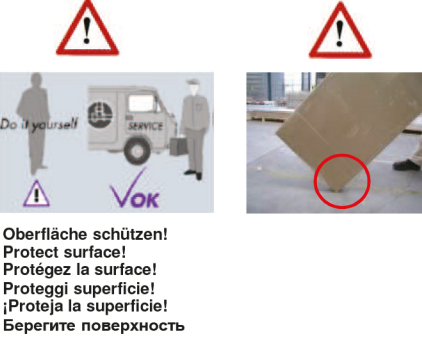
IT Istruzione di montaggio

ES Instrucciones de montaje

RU Монтажная инструкция



Original mounting instruction 10/2011 PLA
 Technische Änderungen vorbehalten Rev. 1 Artik. Nr. D 20057
 Technical modifications are subject to change



| H mm | 245-299 | 300-369 | 370-484 | 485-679 | 680-1000 | 1001-1500 | 1501-2200 | 2201-3000 | | | | |
|-------|------------|------------|------------|------------|------------|------------|------------|------------|-----------|-----------|-----------|-----------|
| | SMB2T | SMB30 | SMB40 | SMB50 | SMB75 | SMB2T | SMB2T | SMB2T | | | | |
| | max. 100kg | max. 100kg | max. 100kg | max. 100kg | max. 100kg | max. 100kg | max. 100kg | max. 100kg | | | | |
| | | | | | | | | | | | | |
| Model | | | | | | | | | | | | |
| | | | | | | | | | | | | |
| 2xSMB | 4-22 El. | | 4-22 El. | 4-22 El. | 4-15 El. | 4-15 El. | 4-10 El. | 4-11 El. | 4-10 El. | 4-8 El. | 4-8 El. | 4-8 El. |
| 3xSMB | 23-39 El. | | 23-39 El. | 23-39 El. | 16-29 El. | 16-30 El. | 11-20 El. | 12-21 El. | 11-16 El. | 9-15 El. | 9-14 El. | 9-12 El. |
| 4xSMB | 40-50 El. | | 40-50 El. | 40-55 El. | 30-42 El. | 31-45 El. | 21-30 El. | 22-31 El. | 17-21 El. | 16-22 El. | 15-19 El. | 13-17 El. |
| 5xSMB | 51-60 El. | | 51-60 El. | 56-65 El. | 43-55 El. | 46-60 El. | 31-40 El. | 32-41 El. | 22-27 El. | 23-29 El. | 20-24 El. | 18-21 El. |

